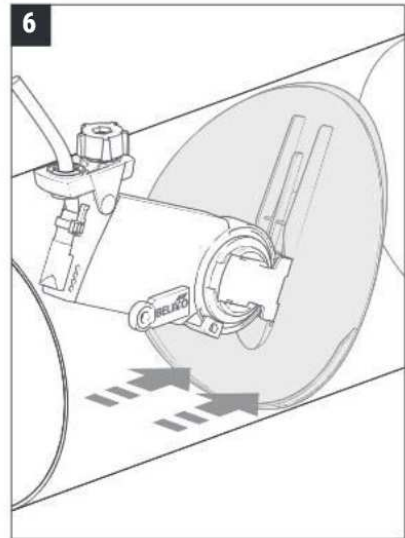
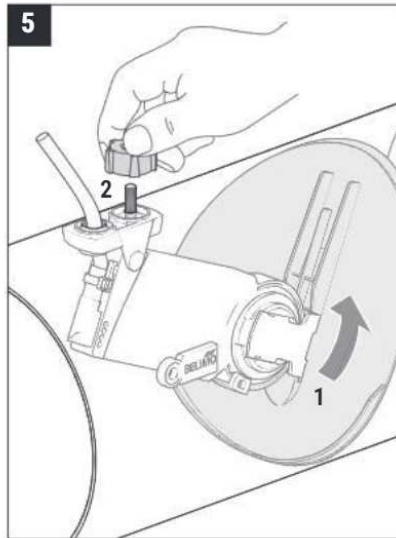
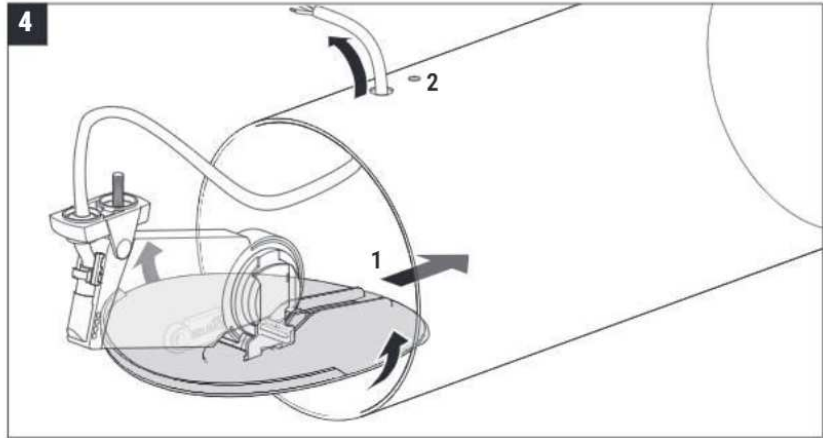
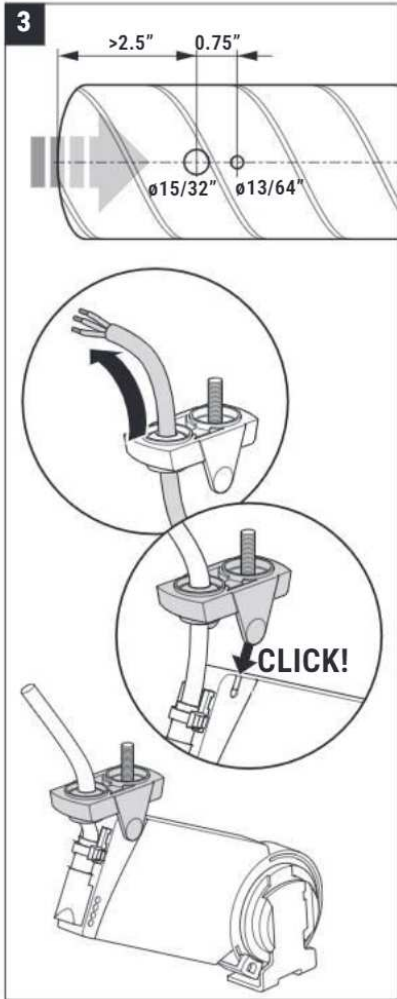
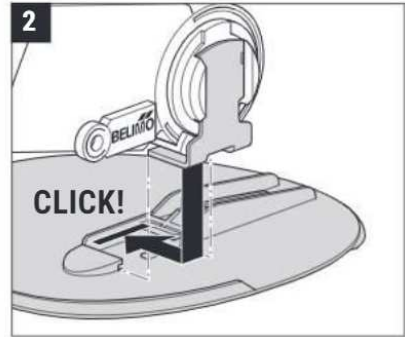
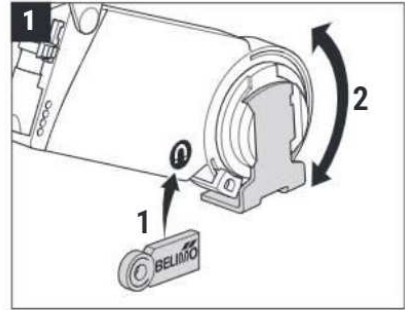
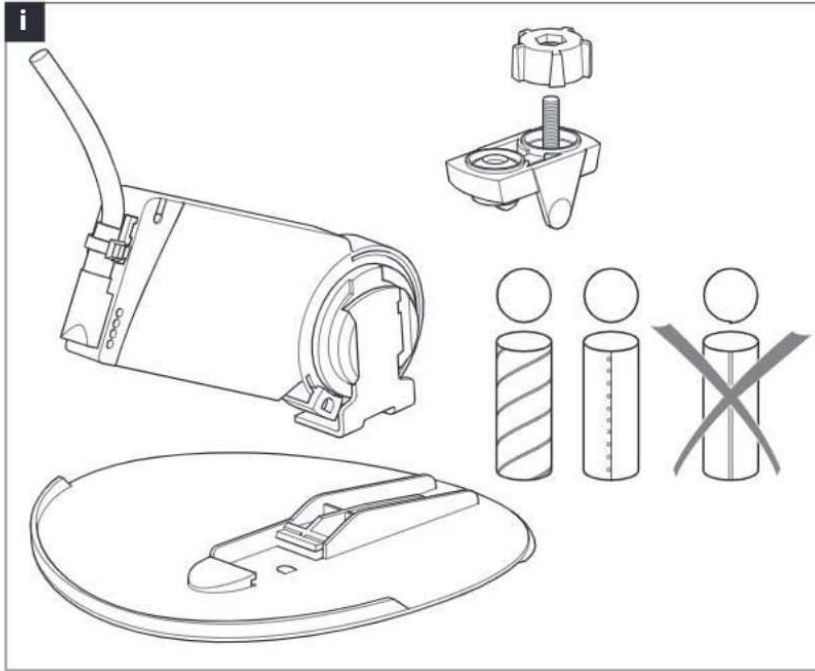
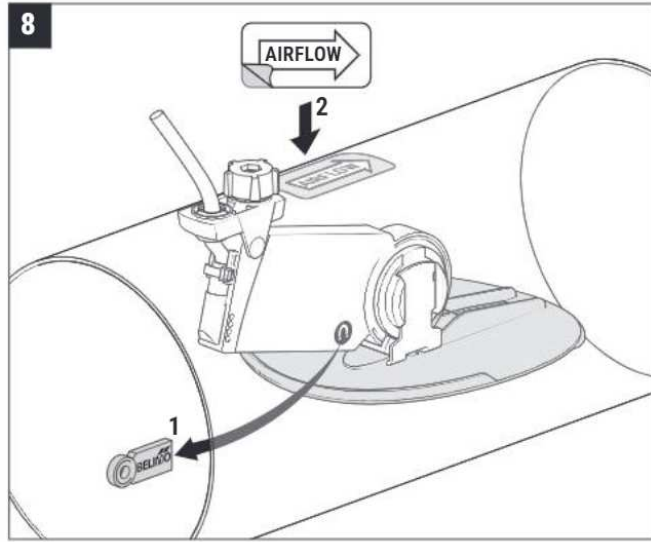
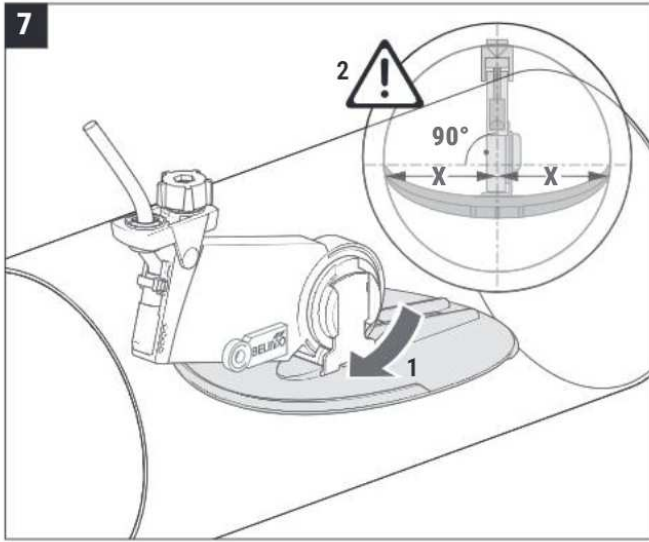


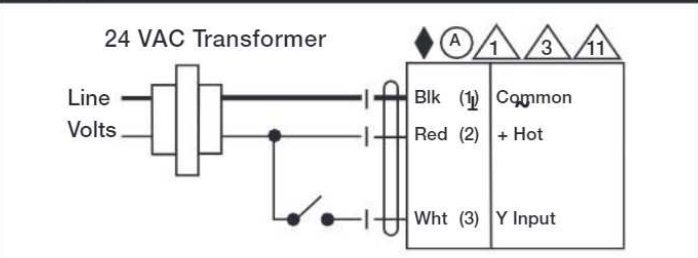
NIMOFR..C, CMB24..D Actuators



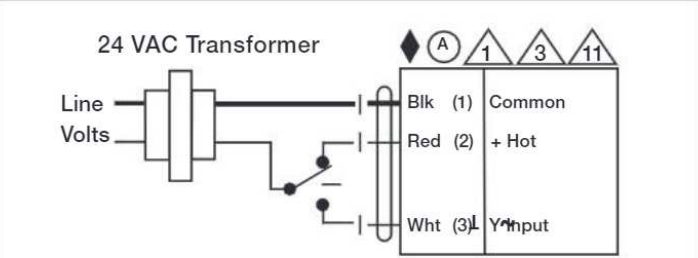
NIMOFR...C, CMB24..D Actuators



Wiring Diagrams



On/Off



Floating Point

Notes:

- ◆ Meets cULus requirements without the need of an electrical ground connection.
- Ⓐ Actuators with appliance cables are numbered.
- ⚠ Provide overload protection and disconnect as required.
- ⚠ Actuators may also be powered by 24 VDC.
- ⚠ Actuators may be connected in parallel if not mechanically mounted to the same shaft. Power consumption and input impedance must be observed.

V
V

- WHT**
White
Bianco
Blanc
Branco
- RED**
Red
Rojo
Rouge
Vermelho
- BLK**
Black
Negro
Noir
Preto