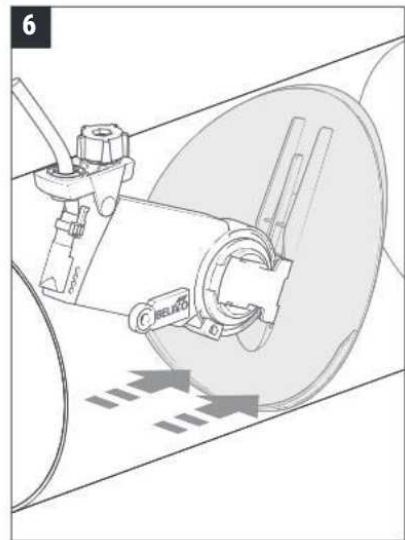
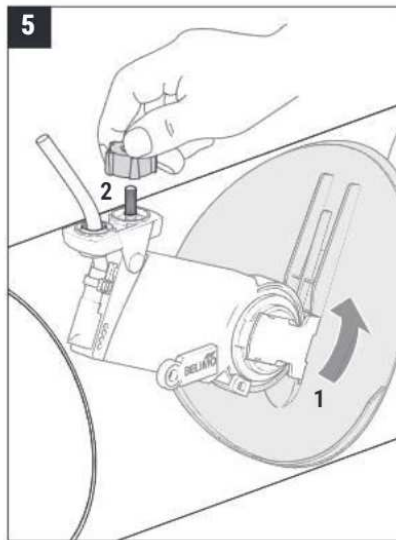
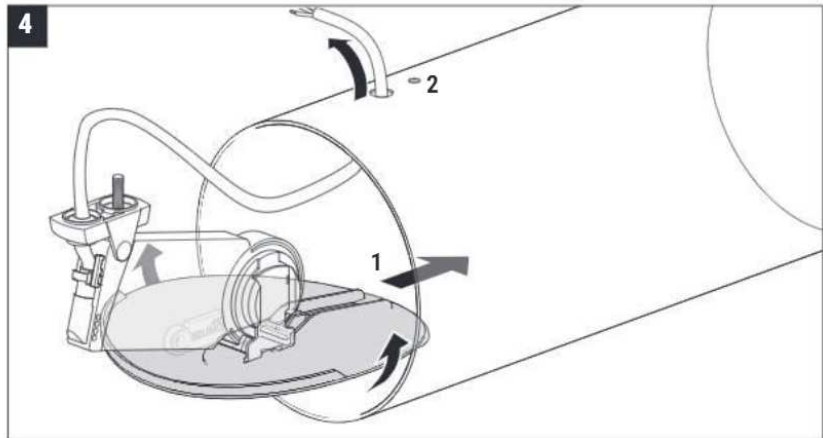
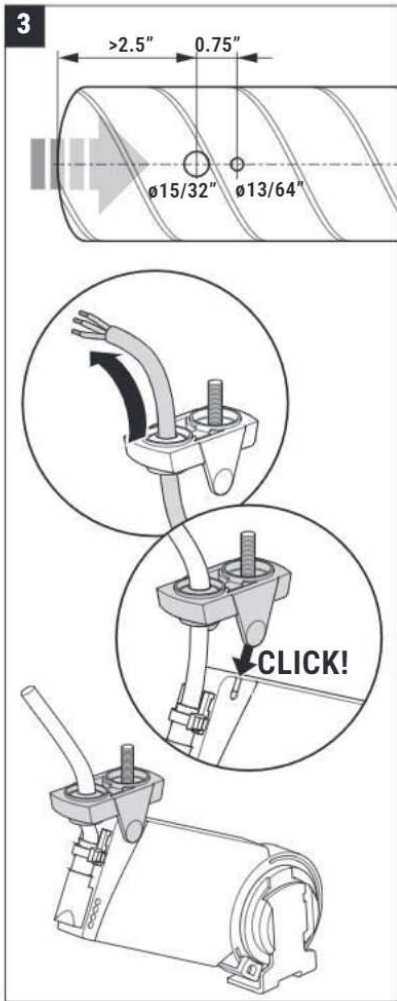
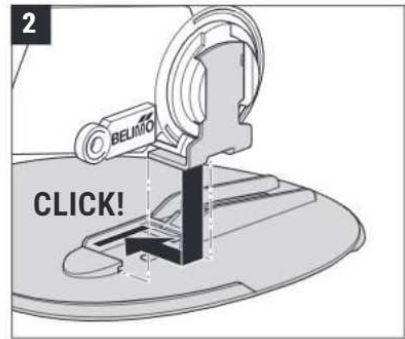
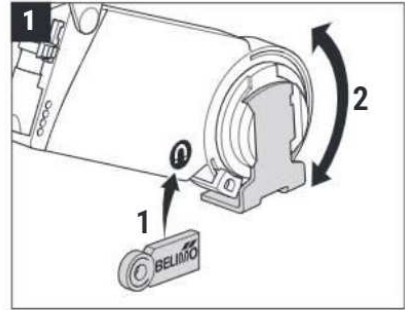
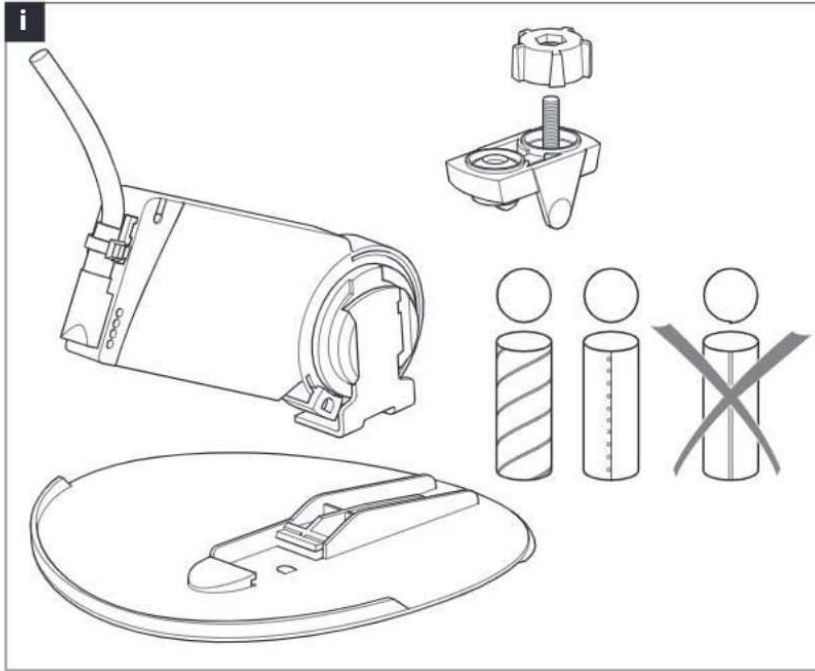
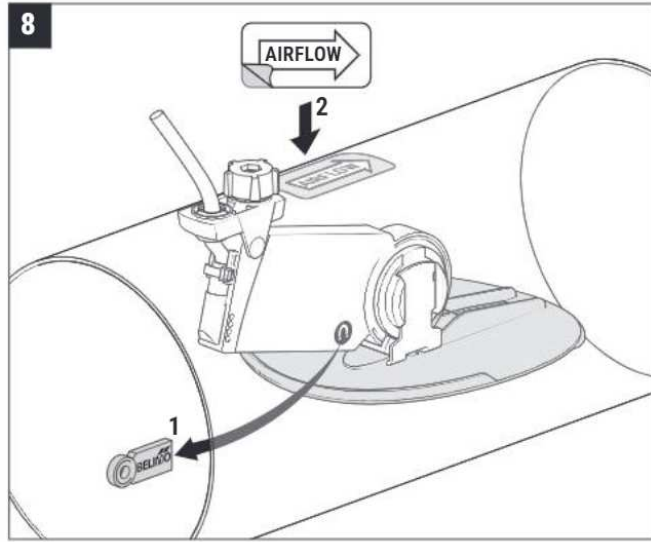
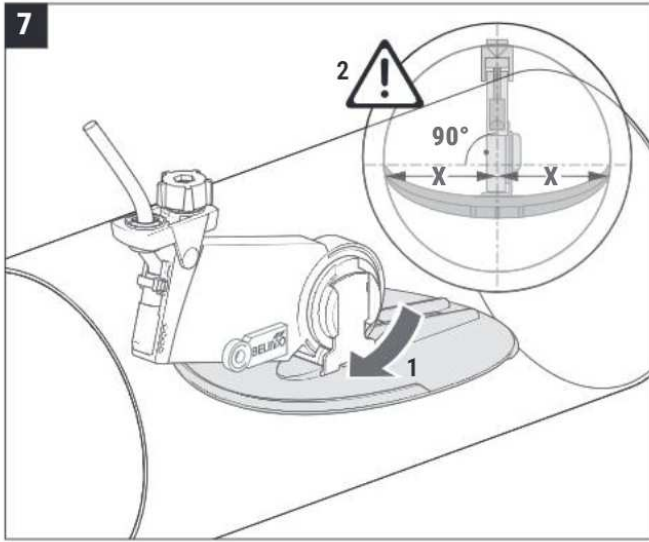


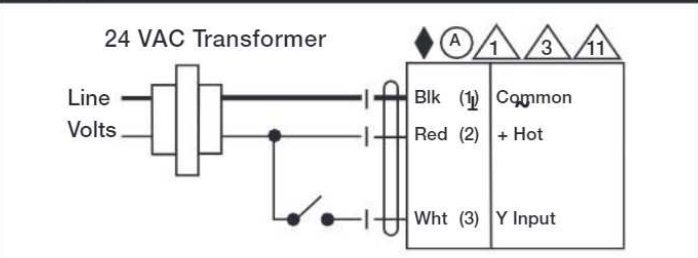
NIMOFR..C, CMB24..D Actuators



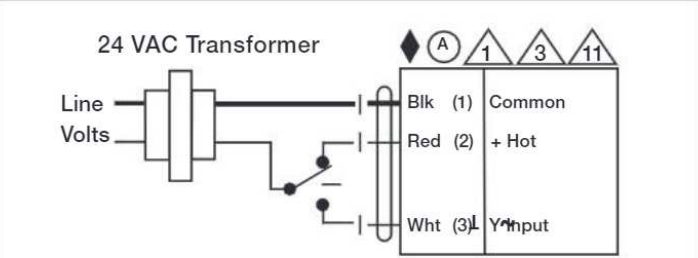
NIMOFR...C, CMB24..D Actuators



Wiring Diagrams



On/Off



Floating Point

Notes:

- ◆ Meets cULus requirements without the need of an electrical ground connection.
- Ⓐ Actuators with appliance cables are numbered.
- ⚠ Provide overload protection and disconnect as required.
- ⚠ Actuators may also be powered by 24 VDC.
- ⚠ Actuators may be connected in parallel if not mechanically mounted to the same shaft. Power consumption and input impedance must be observed.

V
V

WHT	White
	Bianco
	Blanc
	Branco
RED	Red
	Rojo
	Rouge
	Vermelho
BLK	Black
	Negro
	Noir
	Preto