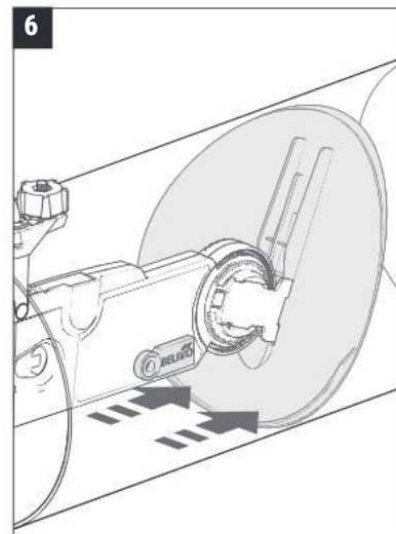
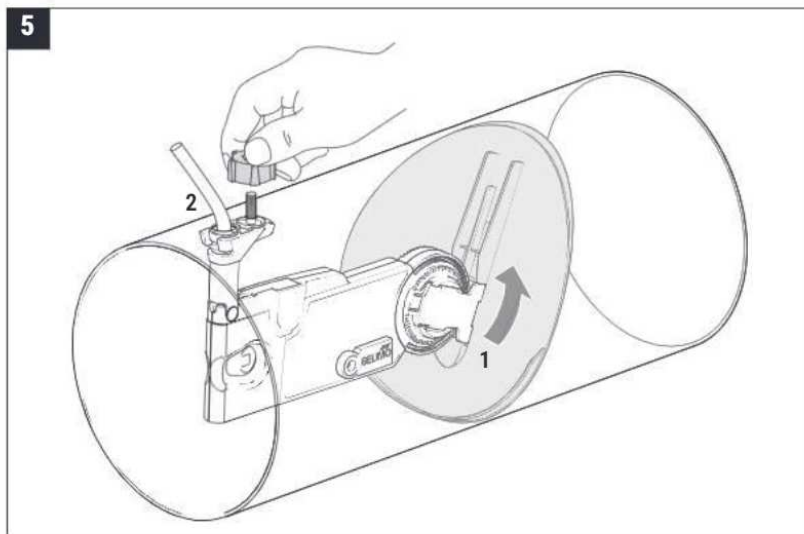
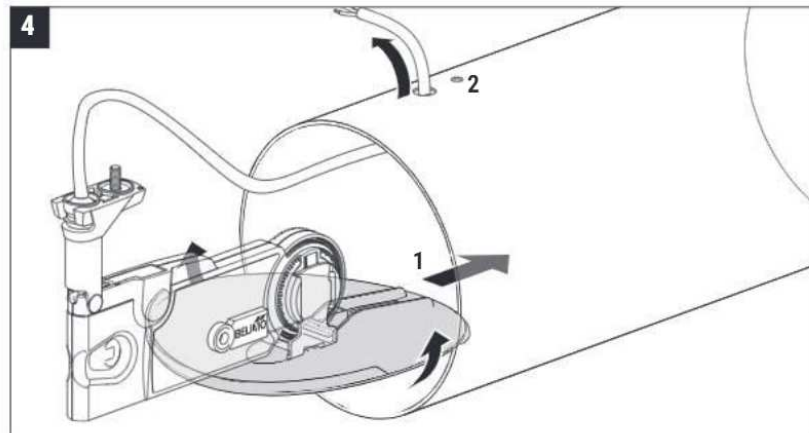
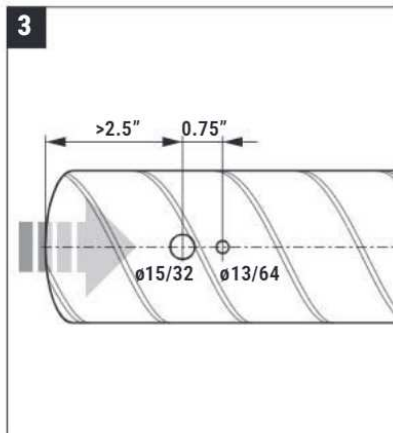
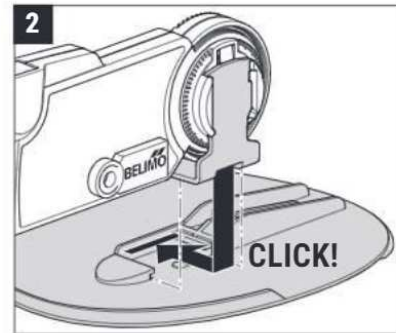
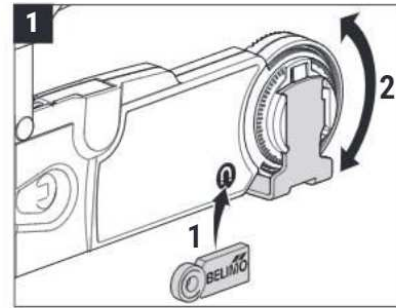
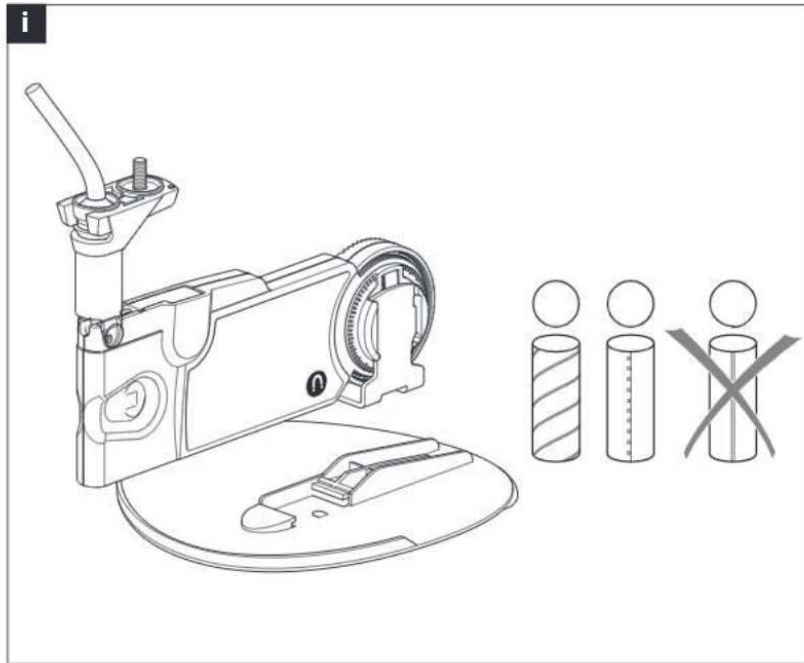
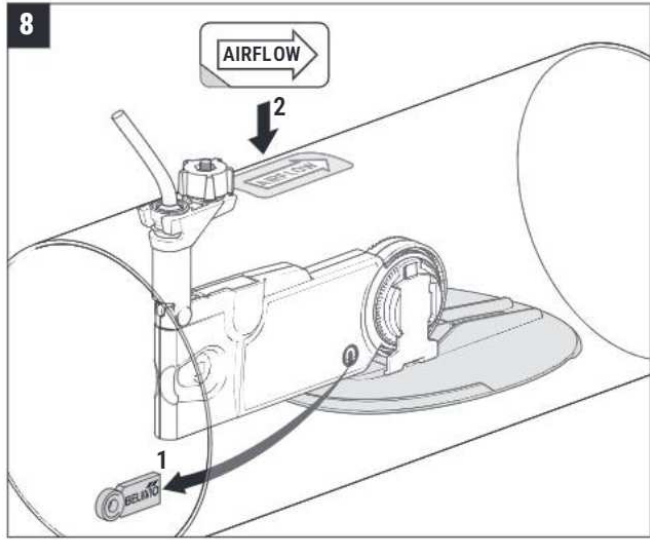
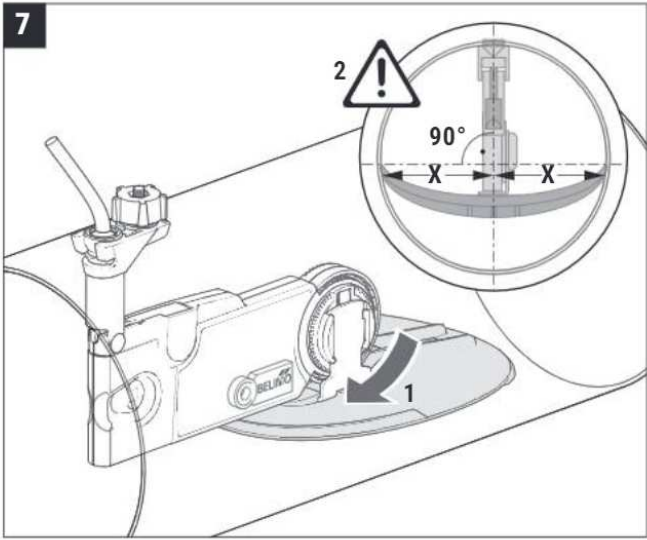
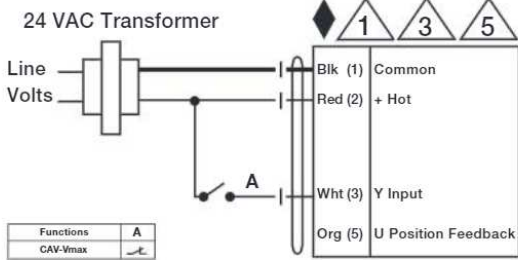


# NIMVR..C, CMBV..MFT Actuators

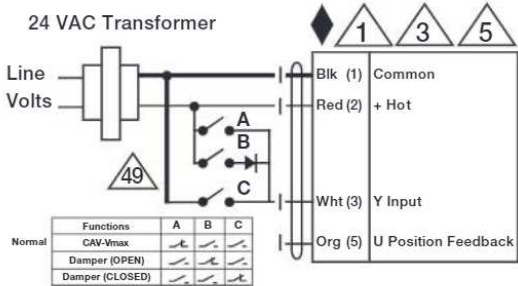




### Wiring Diagrams



### Typical Control



### Service Override Control

### Notes:

- ◆ Meets cULus requirements without the need of an electrical ground connection
- ⚠ Provide overload protection and disconnect as required.
- ⚠ Actuators may also be powered by 24 VDC.
- ⚠ Only connect common to neg. (-) leg of control circuits.

<b>ORG</b>	Orange
	Anaranjado
	Orange
	Alaranjado
<b>WHT</b>	White
	Blanco
	Blanc
	Branco
<b>RED</b>	Red
	Roj
	Rouge
	Vermelho
<b>BLK</b>	Black
	Negro
	Noir
	Preto