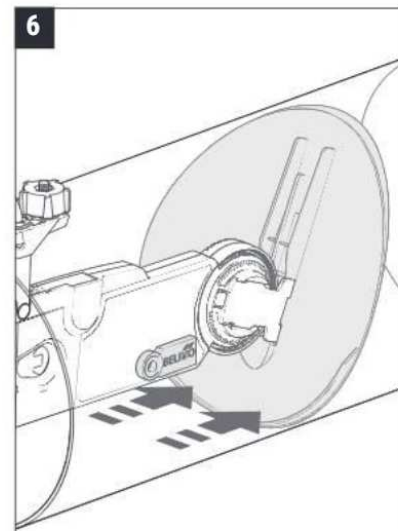
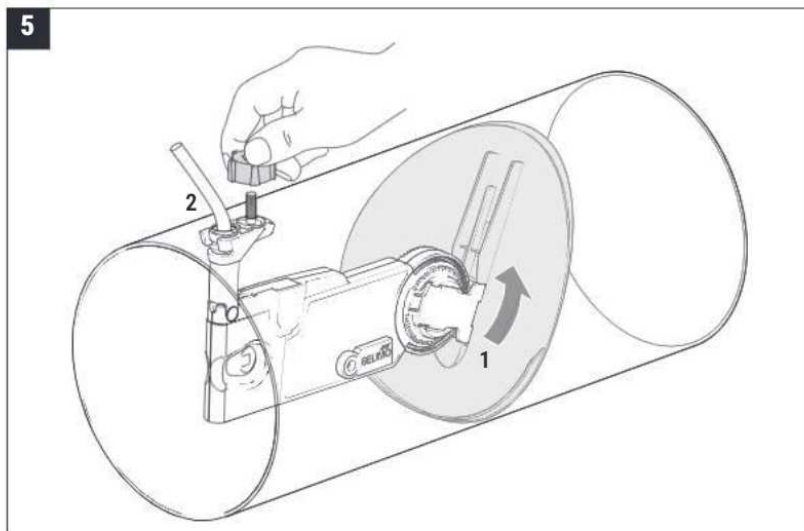
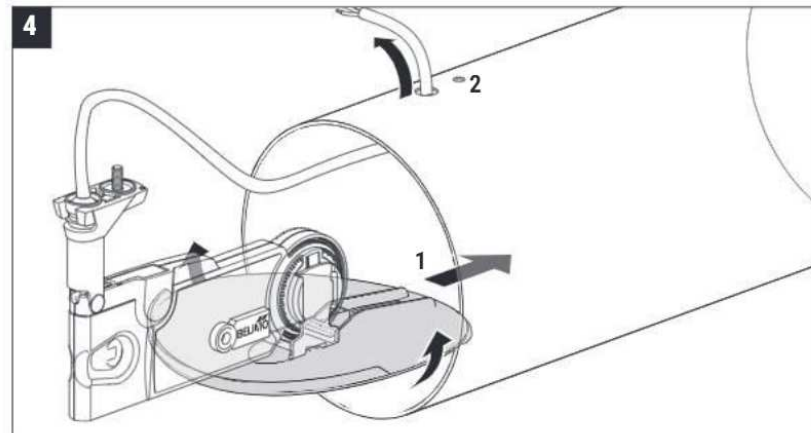
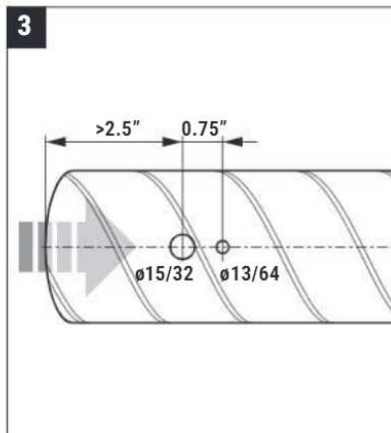
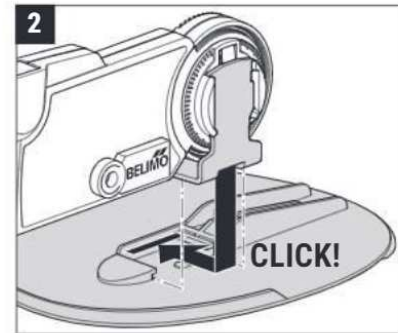
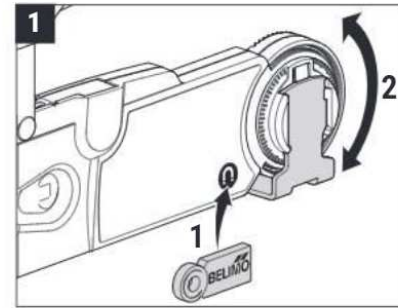
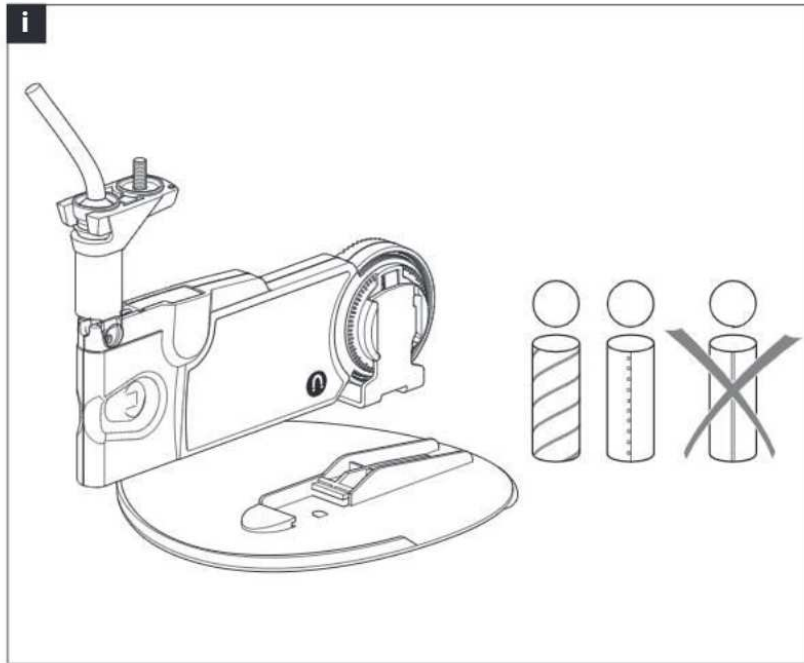
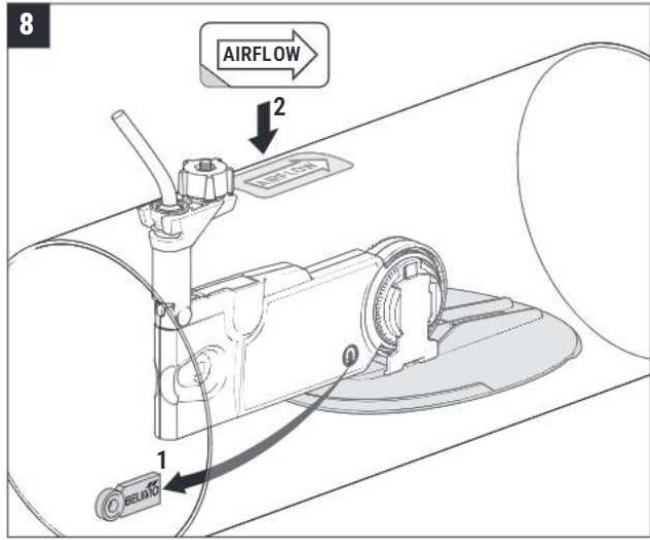
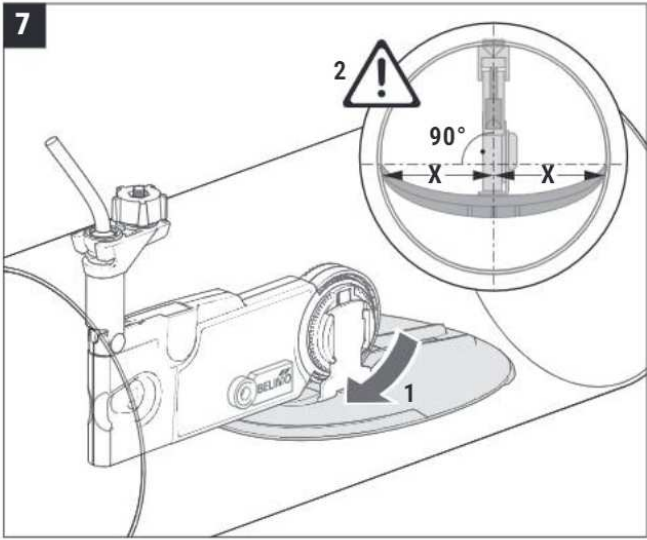
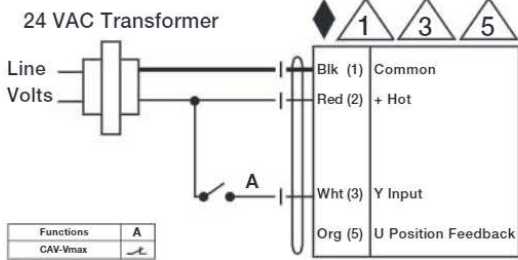


NIMVR..C, CMBV..MFT Actuators

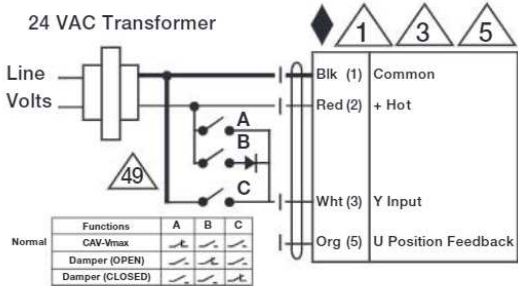




Wiring Diagrams



Typical Control



Service Override Control

Notes:

- ◆ Meets cULus requirements without the need of an electrical ground connection
- 1 Provide overload protection and disconnect as required.
- 3 Actuators may also be powered by 24 VDC.
- 5 Only connect common to neg. (-) leg of control circuits.

ORG	Orange
	Anaranjado
	Orange
	Alaranjado
WHT	White
	Blanco
	Blanc
	Branco
RED	Red
	Rojó
	Rouge
	Vermelho
BLK	Black
	Negro
	Noir
	Preto